

# Tachometers and Tach/Hourmeters

## AT and ATH Series

### Features

- Improved quality
- New, easy one-button calibration procedure
- Every model will accept all signal sources: alternator, magnetic pickup or ignition
- Easy ring clamp for installation
- LED backlight

The AT Series tachometer is a rugged instrument with solid-state circuitry for indication of engine RPM. It is equipped with a ring nut for mounting into a standard 3-3/8 in. (86 mm) dash mounting hole. A full 240° sweep of the pointer gives an accurate indication on a large easy-to-read scale, and the dial can be illuminated for night reading. The ATH Series model is also equipped with hourmeter to record the elapsed running time of an engine.

These instruments are designed to function with Alternator, Magnetic Pickup or Ignition signals from:

- pulses generated by an alternator with 4, 8, 12, 14 or 16 poles on the rotor (3 - 52 PPR);
- pulses obtained from the ring gear of an engine by means of an electromagnetic sensor (magnetic pickup). The instrument is designed to function with flywheels having anywhere from 50 to 300 teeth;
- 2 - 10 cylinder, 4 cycle spark-ignited engines.  
Not intended for use with Capacitive Discharge (CD) ignitions or magnetos, only for inductive, automotive-type ignitions.

The tachometers are powered by a 12- or 24-volt battery and are reverse polarity protected. These units are for negative ground or isolated electrical systems. They are specially designed for use on truck, marine, industrial or stationary engines.



### Specifications

**Power Input:** 10-32 VDC (100 mA max at 32 VDC, does not include backlight)

**Backlight:** LED, Red (75 mA max at 32 VDC)

**Accuracy:**

Tachometer: +2% full scale

Hourmeter: +/- 0.02%

**Temperature Range:** -40 to 185° F (-40 to 85° C)

**Dial (Face Plate):** 240° sweep with white numerals

**Bezel:** 304 stainless steel

**Scale:** 0-3000 RPM

**Case Material:** Nylon, 12% glass filled

**Hourmeter Range:** 99999.9 hours in 0.1 increments. **Electromagnetic**

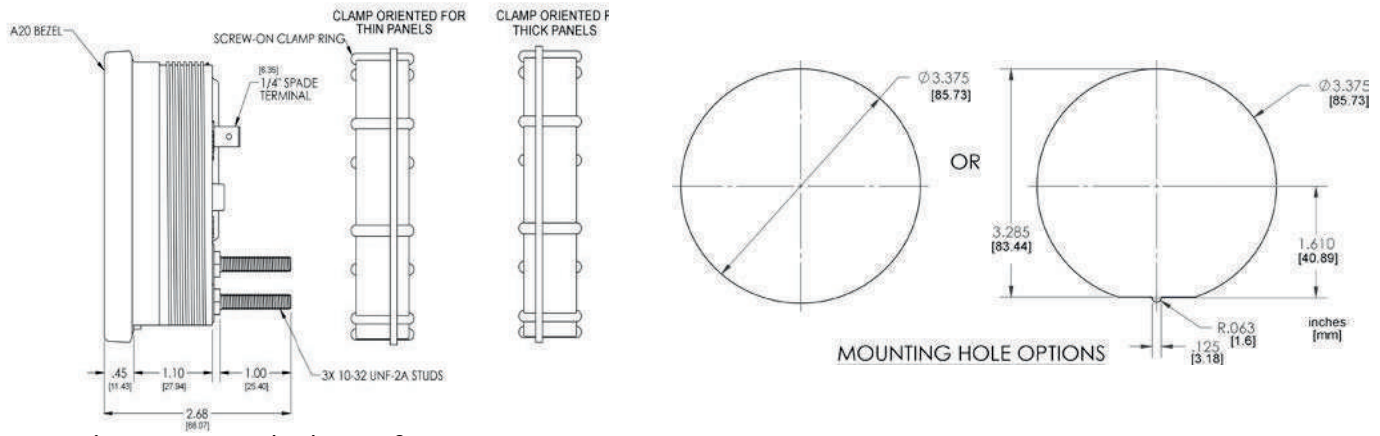
**Compatibility:** 2004/108/EC

**RoHS Compliant**

### Bezel Styles



# Dimensions



## Previous Model Reference

Old/Discontinued Model		New Model Replacement	
Part Number	Model	Part Number	Model
20700134	ATA-40	20700245	AT-30
20700135	ATA-40-A	20700246	AT-30-A
20700136	ATA-40-B	20700247	AT-30-B
20700137	ATHA-40	20700249	ATH-30
20700141	ATHA-40-A	20700250	ATH-30-A
		20700254	ATH-40-A
20700139	ATHA-40-B	20700251	ATH-30-B
20700140	ATHA-40-C	20700252	ATH-30-C
20700142	ATHS-40	20700249	ATH-30
20700143	ATHS-40-A	20700250	ATH-30-A
20700225	ATHS-40-B	20700251	ATH-30-B
20700226	ATHS-40-C	20700252	ATH-30-C
20700228	ATS-40-A	20700246	AT-30-A
20700229	ATS-40-B	20700247	AT-30-B
20700230	ATS-40-C	20700248	AT-30-C
20700231	ATHI-40-A	20700254	ATH-40-A

## How to Order

Part Number	Model	Notes with Bezel Description
<b>Without Hourmeter</b>		
20700245	AT-30 Tachometer	Bright Stainless Steel Bezel
20700246	AT-30-A Tachometer	Black Stainless Steel Bezel
20700247	AT-30-B Tachometer	SAE Bright Stainless Steel Bezel
20700248	AT-30-C Tachometer	SAE Black Stainless Steel Bezel
<b>With Hourmeter</b>		
20700249	ATH-30 Tach/Hourmeter	Bright Stainless Steel Bezel with Hourmeter
20700250	ATH-30-A Tach/Hourmeter	Black Stainless Steel Bezel with Hourmeter
20700251	ATH-30-B Tach/Hourmeter	SAE Bright Stainless Steel Bezel with Hourmeter
20700252	ATH-30-C Tach/Hourmeter	SAE Black Stainless Steel Bezel with Hourmeter
20700254	ATH-40-A Tach/Hourmeter	4000 RPM Black Stainless Steel Bezel with Hourmeter

### SALES CONTACT



**CONTACT**  
 ✉ sales@rajkotmarinellc.ae  
 ☎ +971 6 7487580  
 🌐 www.rajkotmarine.com

**RAJKOT MARINE LLC**  
 Jurf Industrial Area 1,  
 P.O Box 5861  
 Ajman, UAE

